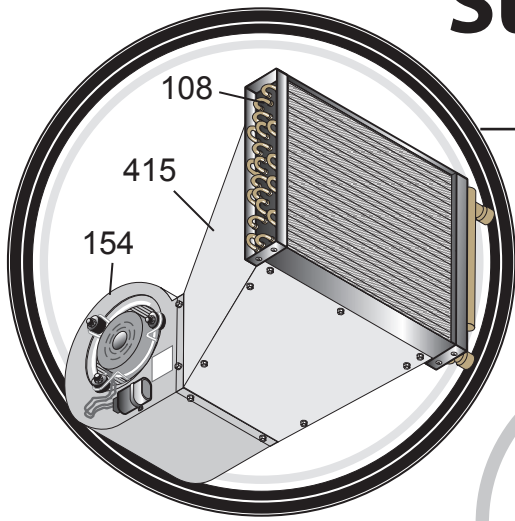
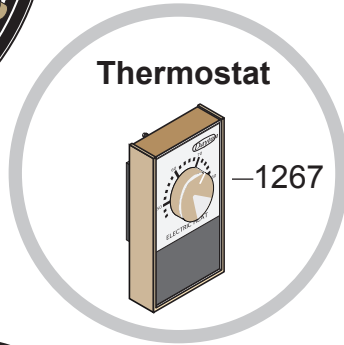


Suspended Space Heaters



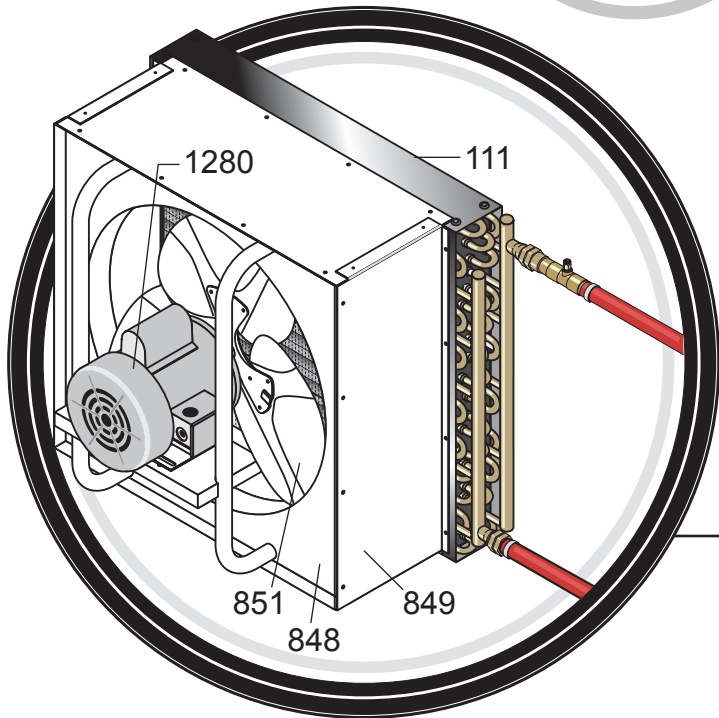
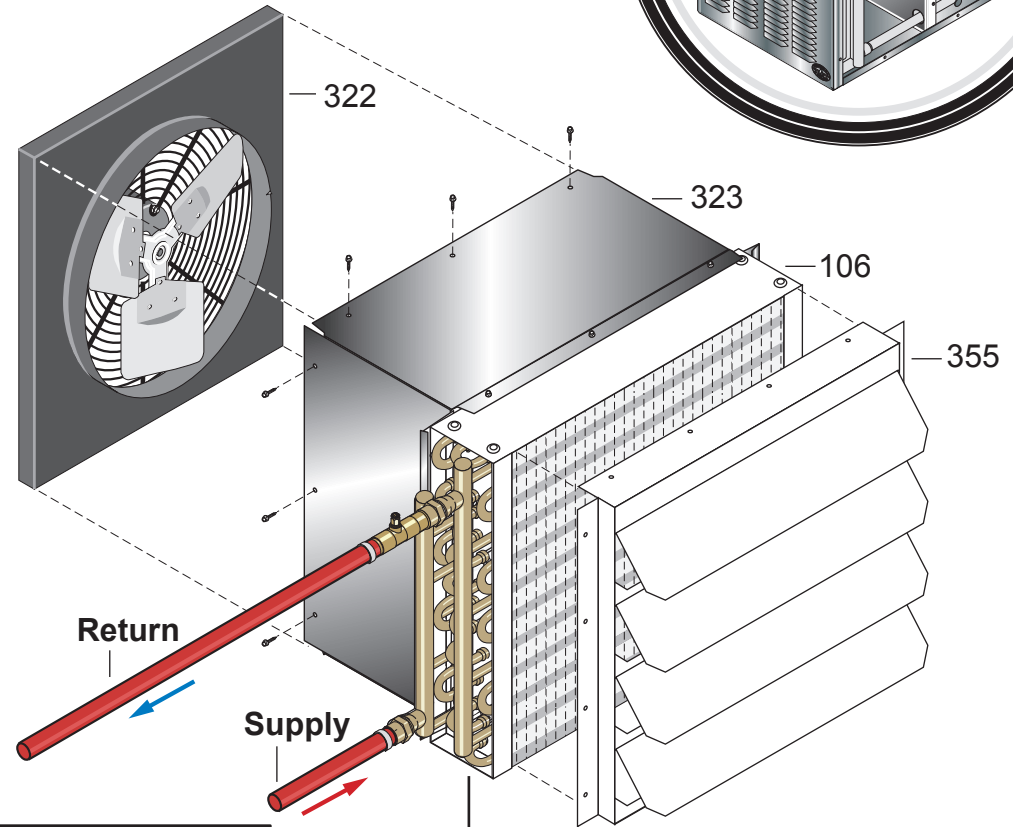
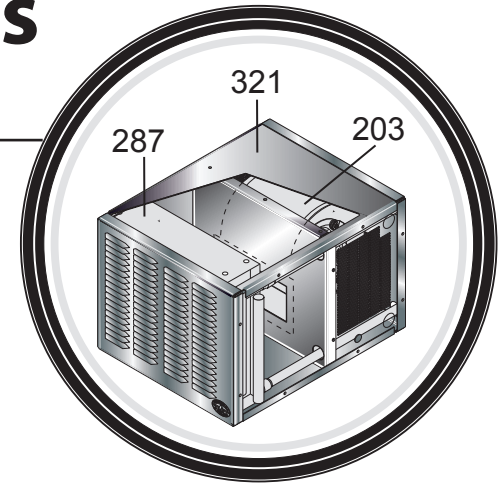
| Space Heater | | |
|--------------|------|-------------------------|
| Qty | p/n | Description |
| 1 | 108 | 140k Btu Exchanger Coil |
| 1 | 154 | Blower and Motor |
| 1 | 1267 | 110-V Thermostat* |
| 1 | 415 | Transition |

*Thermostat shown below.



| Space Heater Cabinet | | |
|----------------------|------|------------------------|
| Qty | p/n | Description |
| 1 | 287 | 50k Btu Exchanger Coil |
| 1 | 1267 | 110-V Thermostat* |
| 1 | 203 | Blower and Motor |
| 1 | 321 | Space Heater Cabinet |

*Thermostat shown below.



| Suspended Space Heater | | |
|------------------------|------|-------------------------|
| Qty | p/n | Description |
| 1 | 111 | 220k Btu Exchanger Coil |
| 1 | 1267 | 110-V Thermostat* |
| 1 | 848 | Motor Frame |
| 1 | 849 | Transition |
| 1 | 851 | Fan Blades |
| 1 | 1280 | Motor |

*Thermostat shown above.

| Suspended Space Heater | | |
|------------------------|------|-------------------------|
| Qty | p/n | Description |
| 1 | 106 | 100k Btu Exchanger Coil |
| 1 | 1267 | 110-V Thermostat* |
| 1 | 322 | Fan |
| 1 | 323 | Transition |
| 1 | 355 | Louvers |

*Thermostat shown above.

