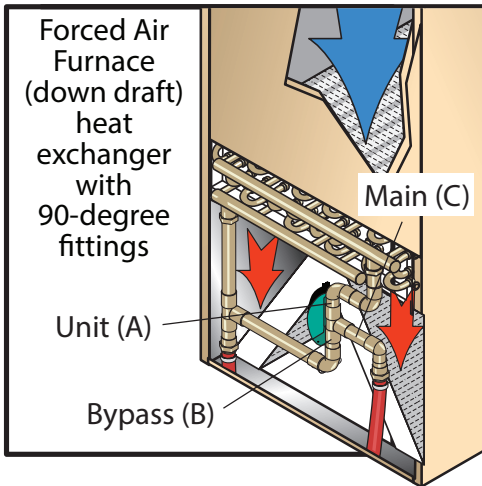
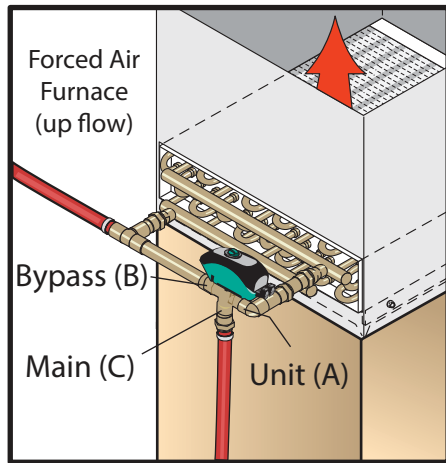
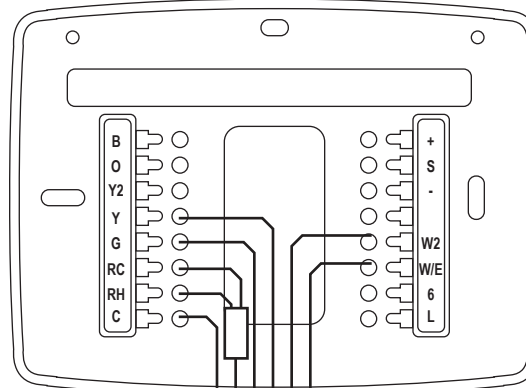


Outdoor Furnace and Forced Air Wiring Configuration

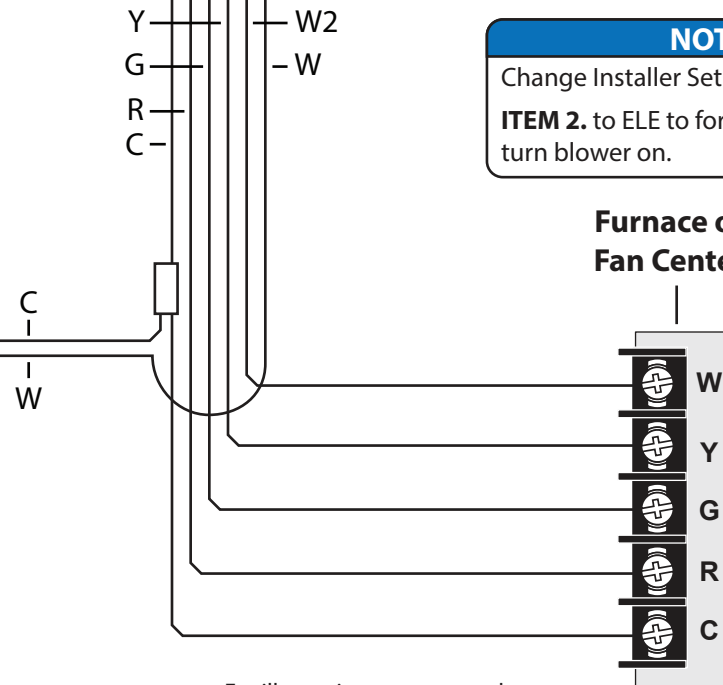
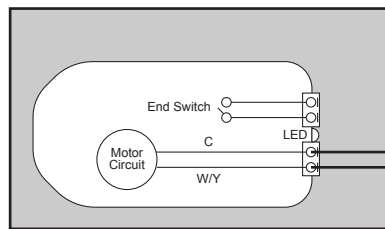
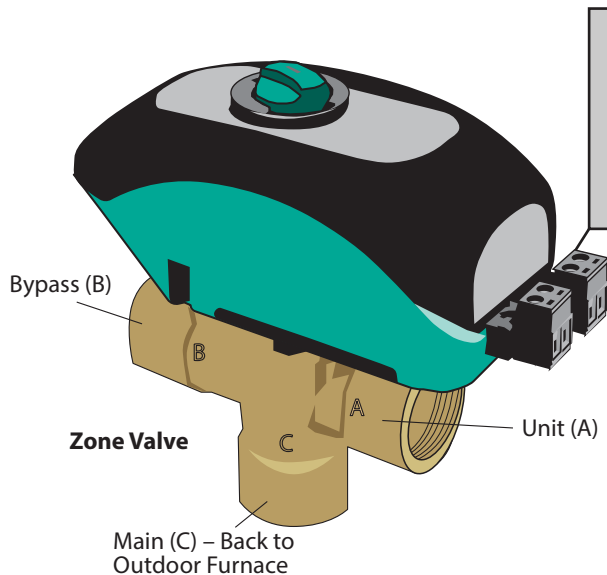


24-V Multi-stage Thermostat (p/n 587)



NOTE
Thermostats must be installed by qualified technician.

NOTE
Change Installer Setup menu:
ITEM 2. to ELE to force thermostat to turn blower on.



For illustration purposes only:
• Location of thermostat may vary.
• Not for heat pump application.

