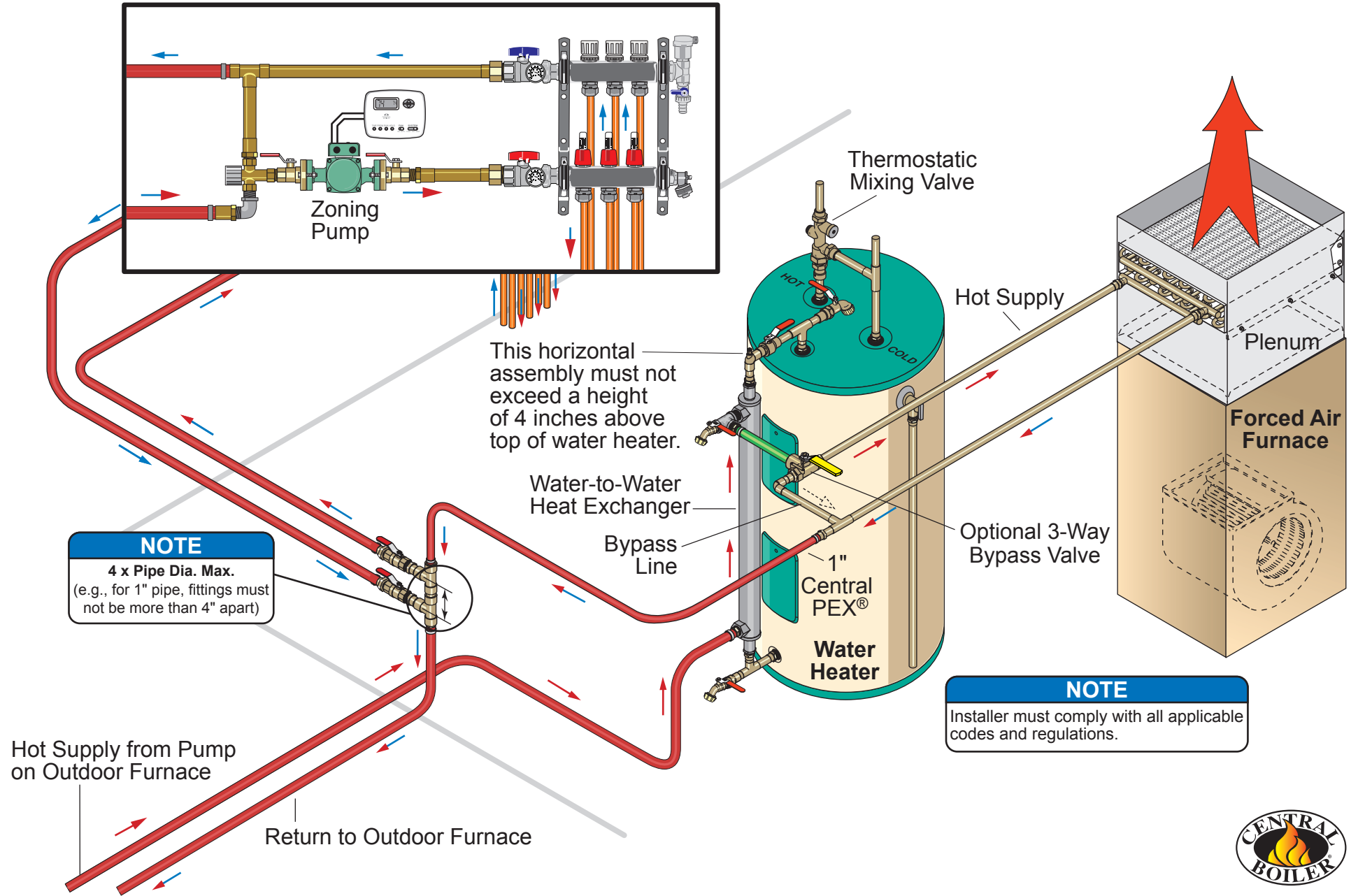


NOTE

If heating loops are above manifolds, additional controls (e.g. zone valve or flow check) may be needed to prevent ghost flow (see Radiant Heat with Flow-Check Valve illustration).

- For illustration purposes only:
- Water heater styles may vary.
 - Size of incoming line may vary (depending on application).
 - Location of thermostat may vary.

Dual System (In Floor Radiant / Forced Air)



This horizontal assembly must not exceed a height of 4 inches above top of water heater.

NOTE

4 x Pipe Dia. Max.
(e.g., for 1" pipe, fittings must not be more than 4" apart)

NOTE

Installer must comply with all applicable codes and regulations.

