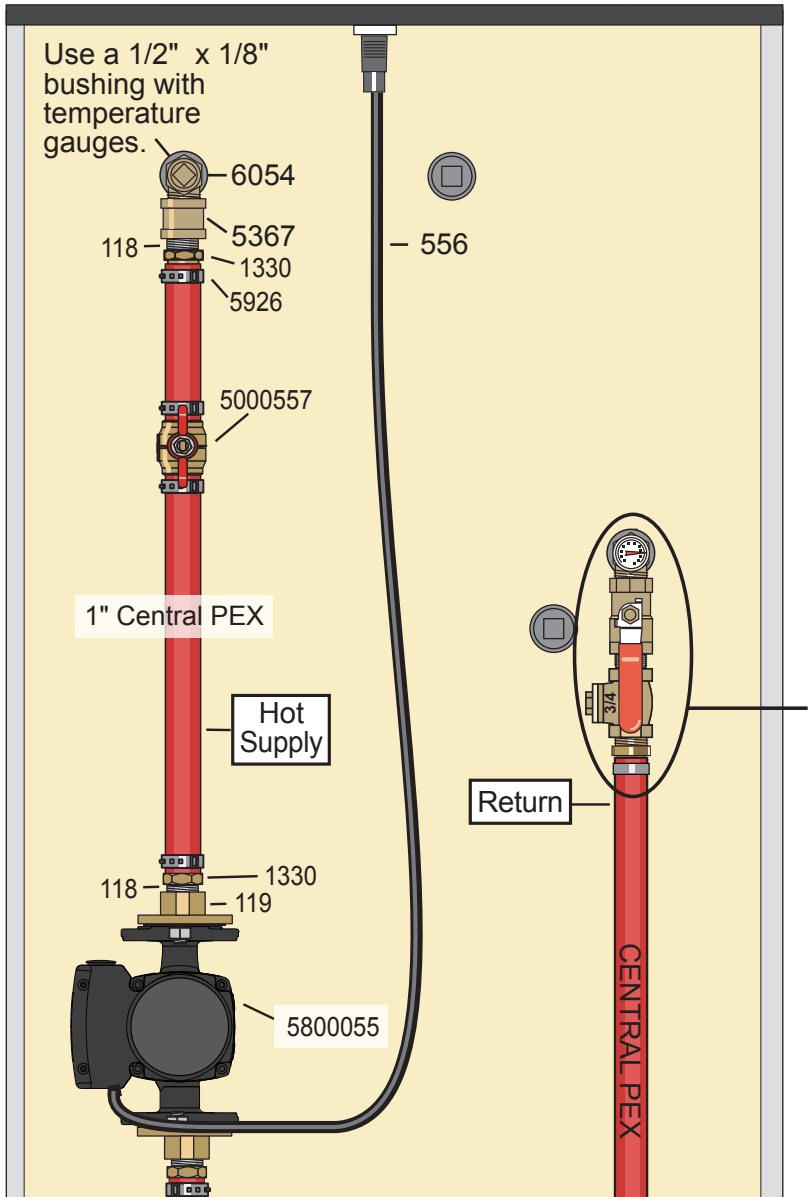
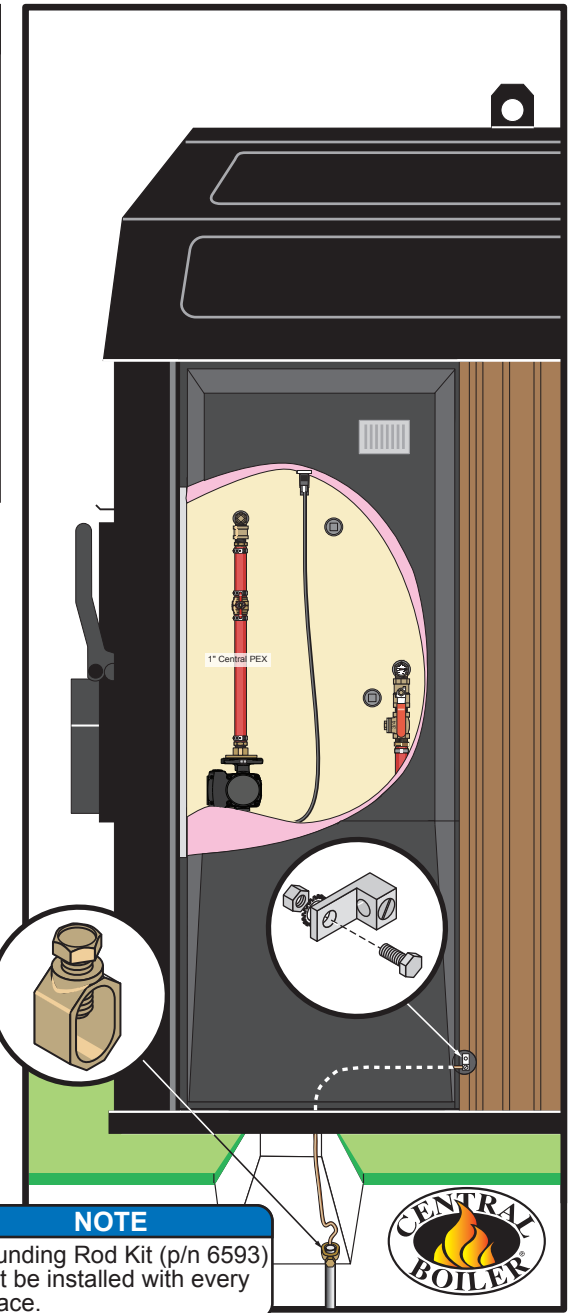
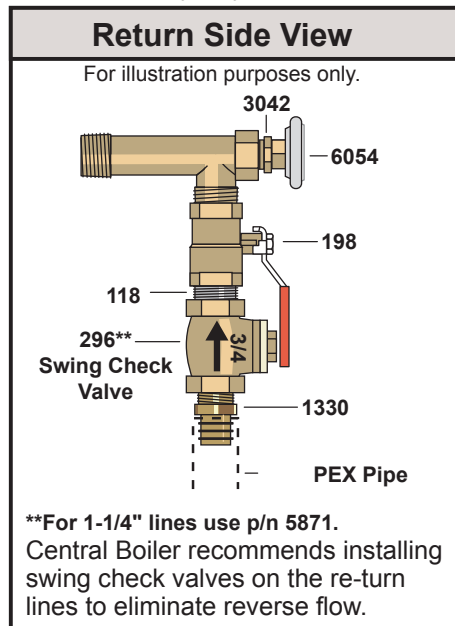


# CL 5036 with 1 Pump Installed



Parts List*		
Qty	p/n	Description
1	118	3/4" Close Nipple
2	198	3/4" Ball Valve
1	119	Pump Flange Kit, 3/4"
1	296	3/4" Swing Check Valve
2	1330	MPT to PEX, 3/4" x 1"
1	556	Power Supply Cord, 32"
4	5926	Clamp Crimp Ring, 1"
2	3042	1/2" x 1/8" Bushing
1	5367	3/4" Brass Coupling
2	6054	Temperature Gauge
1	5000557	Ball Valve, 1" PEX
1	6593	Grounding Rod Kit
1	5800055	Pump, UPMS 20-58 F

\*Parts and accessories sold separately. Pump size may vary.



For illustration purposes only. Different configurations may be used. However, it is recommended to mount the pumps as low as possible to lessen cavitation and pump problems.

**NOTE**  
Grounding Rod Kit (p/n 6593) must be installed with every furnace.

