

Wiring Diagram for Two 24-V Thermostats and a Relay

(Prevents air conditioner from operating during heat cycle)

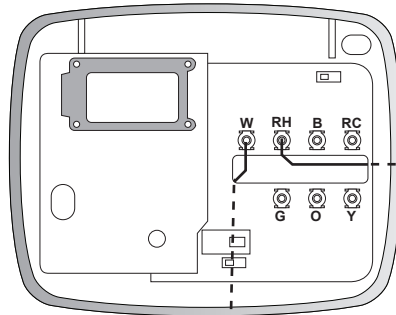
NOTE

Thermostats must be installed by qualified technician.

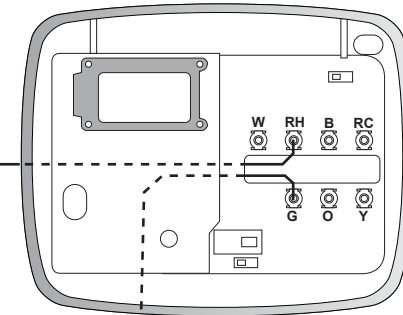
For illustration purposes only:

- Location of thermostat may vary.
- Existing thermostat style may vary.
- Circuit board terminals style may vary.
- For clarity, air conditioner/heat pump control wiring is not shown in this diagram.

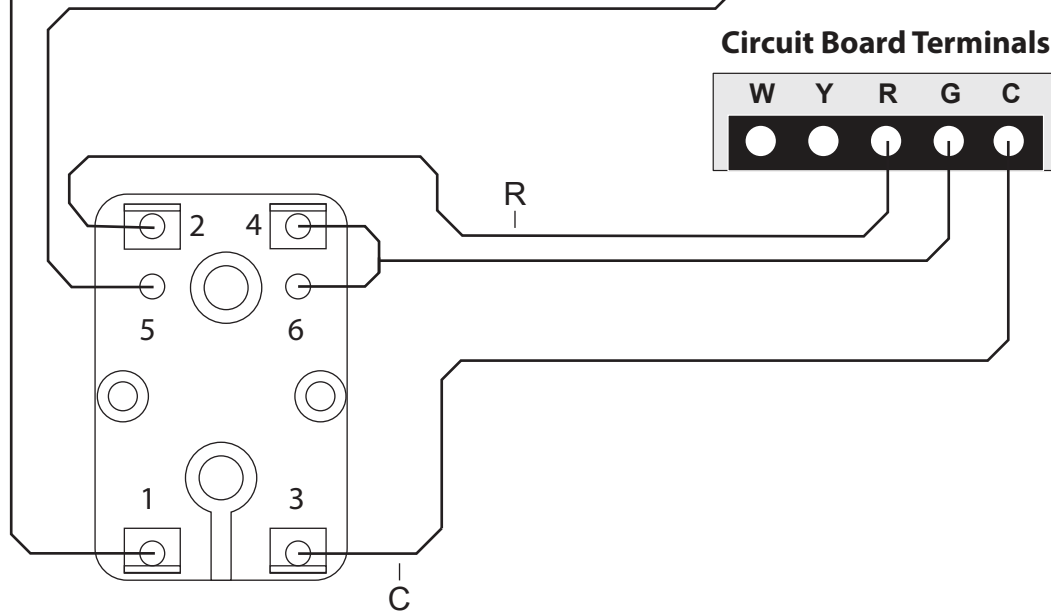
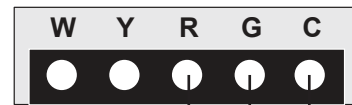
Secondary 24-V Thermostat
p/n 8200008



Existing 24-V Thermostat



Circuit Board Terminals



24-Volt Power Relay
p/n 8200293

NOTE

Any electrical installation should be done by a qualified installer in accordance with applicable codes.

