

NOTE

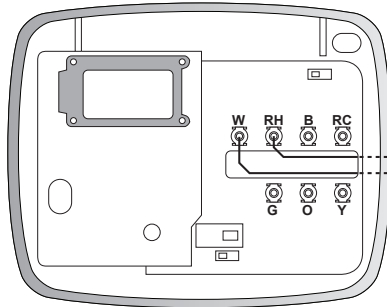
This is one of several possible variations using an existing thermostat. If air conditioning is present, the air conditioner breaker may have to be shut off or a relay installed.

Aquastat & Fan

(Option for addressing overheating on very large furnaces with minimal heat load)

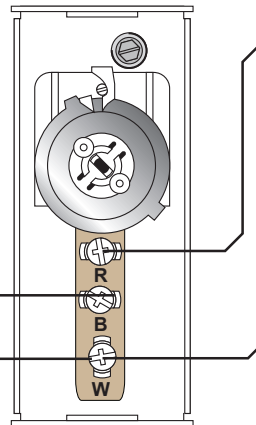
Adjust strap-on setpoint to 190°F (fan will turn on above setpoint).

Existing 24V Thermostat

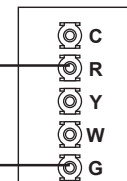


Existing thermostats may vary in style. This is an example illustration only.

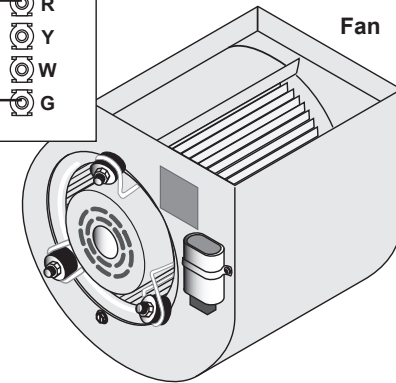
Strap-on Aquastat (p/n 0020-377)



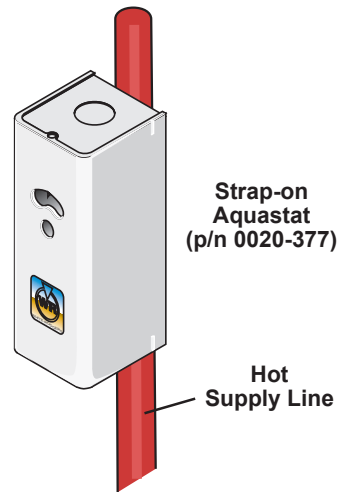
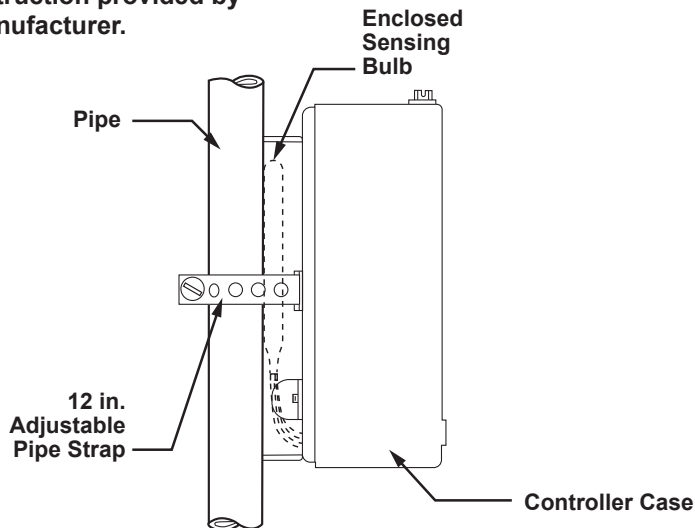
Fan Control



Fan



NOTE: Install aquastat following instruction provided by manufacturer.



NOTE

Strap-on Aquastat to be mounted on supply line of heat exchanger. Control will be sent to the “G” of Fan Control when aquastat is **above** set temperature, the fan will be on. Control will be sent to Thermostat when aquastat is **below** set temperature, the fan will function as normal.

NOTE

Any electrical installation should be done by a qualified installer in accordance with applicable codes.

