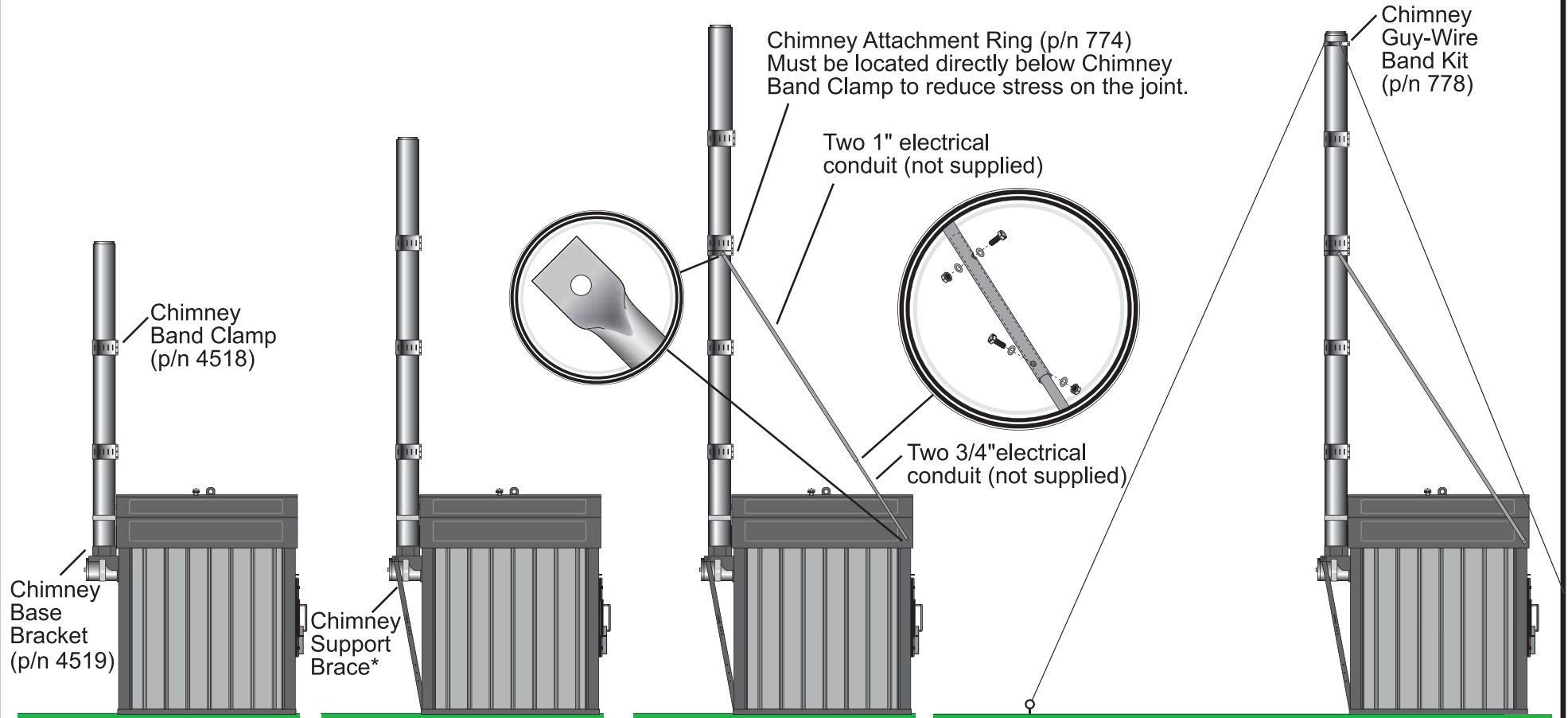


# Chimney Reinforcement Recommendations

for CL 4030, CL 5036, CL 6048, CL 7260 and Pallet Burner



## Three Sections

When three sections of chimney are being used a Chimney Band Clamp Kit (p/n 4518) for each joint and a Chimney Base Bracket Kit (p/n 4519) are recommended.

## Four Sections

When four sections of chimney are being used a Chimney Band Clamp Kit for each joint, a Chimney Base Bracket Kit and a Chimney Support Brace\* are recommended.

## Five or More Sections

When five or more sections of chimney are being used a Chimney Band Clamp Kit for each joint, a Chimney Base Bracket Kit, a Chimney Support Brace Kit and a Chimney Attachment Ring (p/n 774) are recommended.

## Fall Zone

If objects are placed in the fall zone of the chimney, a Chimney Guy-Wire Band Kit (p/n 778) or additional bracing is recommended.

### \*Chimney Support Brace Chart

p/n	Models
4554	CL 4030, CL 5036 & CL 6048
8402	CL 7260 & Pallet Burner

## NOTE

- Additional bracing may be necessary in certain areas such as those subject to severe weather, winds, freezing rain, etc.
- Inspect all bracing bi-annually for integrity.

